

Bracket 180° 6 x VP270/470

Mounting instructions

This mounting instruction applies to mounting bracket for 1-6 antennas type VP270/24, VP470/24 etc.

De-mount the standard mounting bracket from the VP270/24 or VP470/24 antenna. Using the M6x16 stainless bolts and lock washers, mount the antenna on the bracket. Choose position to get the desired coverage.

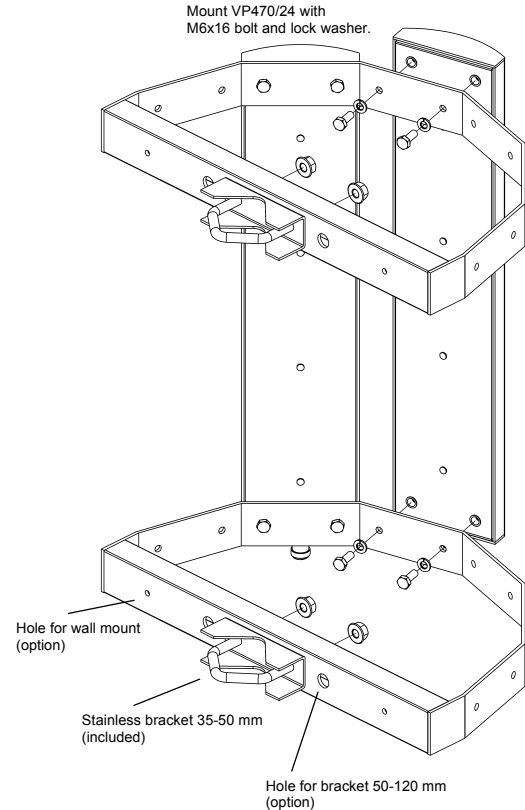
We recommend mounting the bracket in the following ways.

1. on a wall using screw in outer 4 mm holes (not included)
2. on tube using stainless 35-50 mm clamp in centre 8 mm holes (included)
3. on tube using galvanized 50-120 mm bracket M12 stainless bolt (not included)

Weather proofing The type N connector is weather proofed with the supplied heat shrink tubing with meltglue. Use a hot air gun to apply the shrink tubing

Surge protection The antenna is DC grounded and hence no extra surge protection is required. Mount the antenna and bracket on a grounded tube or mast if available.

WLAN Design Tools On our home page you can use WLAN Design Tools, a set of online tools to optimise your link or network; use LinkBudget to calculate two-way link budget, AccessPointConfigurator (APC) to choose the best antenna for base stations and PolPlot to study the radiation pattern of the antennas.



SMARTEQ™
WIRELESS TELECOM

SMARTEQ Wireless AB
Enebyberg, Sweden
info@smarteq.se
www.smarteq.com

